

8. Octagon Twin LNB OTLSO with only one L.O. frequency (TK 8ppm) and IF on 70cm Band, for use with SDR mode: SSB CW Pactor

Supported by HDSDR or GQRX software or similar software.

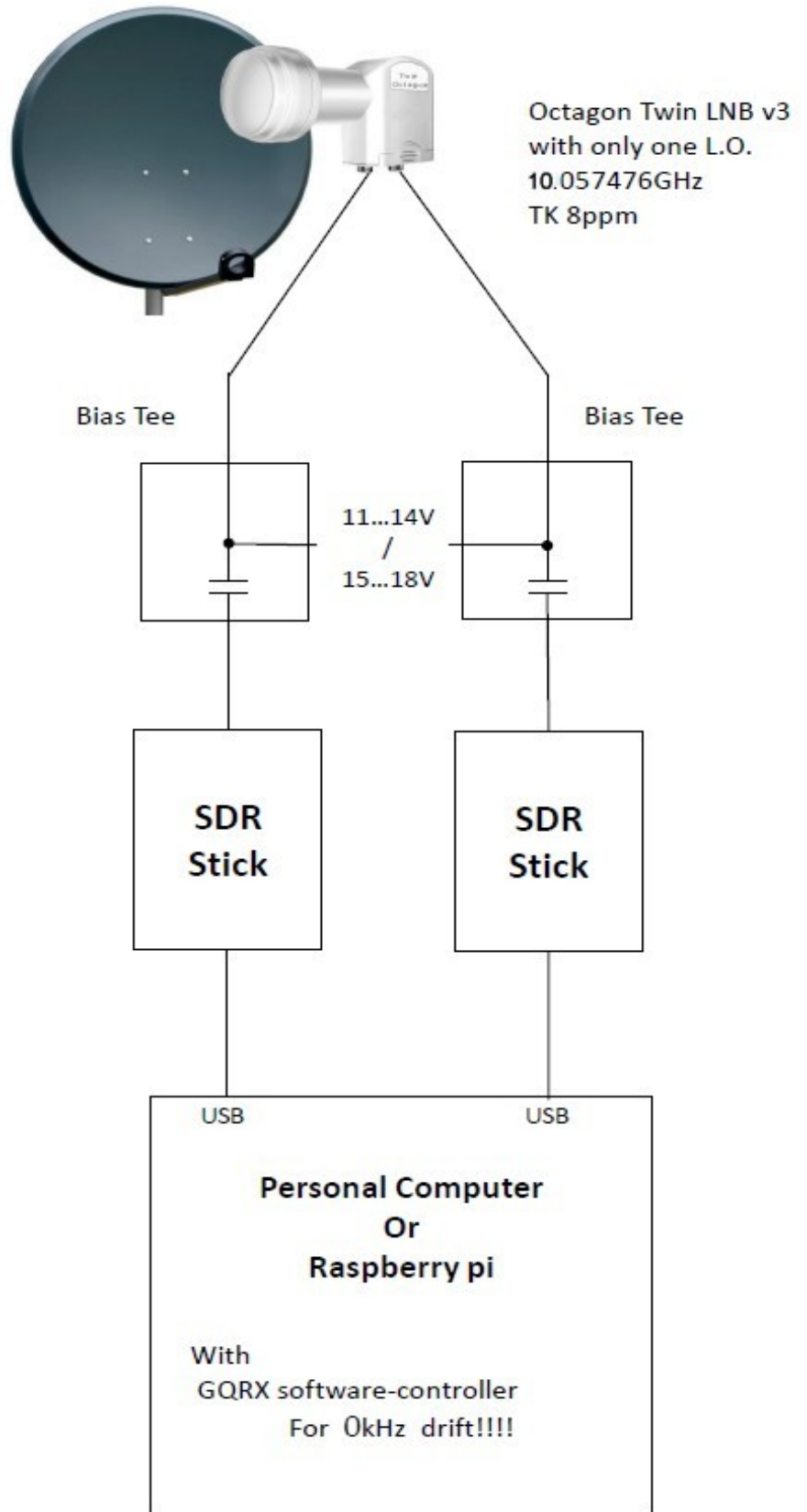
For 0 kHz drift !!

LNB Input:
10,450.....13,00 GHz

Oscil. Freq.:
PLL 10,057476 GHz

LNB Output:
400.....2100 MHz

Price: 50,00 Euro



According to the principle of DB8TF and DL3DCW

<https://forum.amsat-dl.org/index.php?thread/60-captures-of-pll-lnb-drifts-over-time-with-without-mods/&pageNo=2>

<https://www.oe7forum.at/viewtopic.php?f=42&t=468&start=15#p2511>

.....or use SDR and RX base station simultaneously :

